

Alfa Laval AQ10T[®]

Gasketed plate heat exchanger for HVAC applications

Introduction

Alfa Laval AlfaQ™ is AHRI Certified® through the Liquid to Liquid Heat Exchangers (LLHE) Certification Program which ensures thermal performance in accordance with the product specifications.

Designed for high throughput, this model delivers excellent thermal performance. A large selection of plate and gasket types is available.

Applications

- HVAC

Benefits

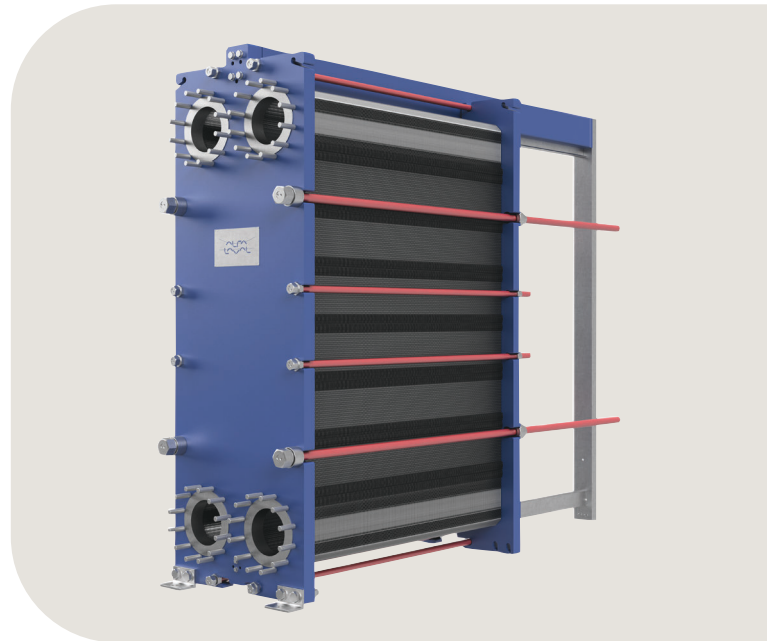
- Flexible configuration – heat transfer area can be modified
- Easy to install – compact design
- High serviceability – easy to open for inspection and cleaning and easy to clean by CIP
- Access to Alfa Laval's global service network

Features

Every detail is carefully designed to ensure optimal performance, maximum uptime and easy maintenance. Selection of available features, depending on configuration some features may not be applicable:



- Five-point alignment
- T-bar roller
- CurveFlow™ distribution area
- PowerArc™ plate pattern divider
- ClipGrip™ gasket attachment
- Offset gasket groove
- Leak chamber
- FlexFlow™ plate design
- Bearing boxes
- Fixed bolt head
- Key hole bolt opening
- Lifting lug
- Lining
- Lock washer
- Tightening bolt cover



Alfa Laval 360° Service Portfolio

Our extensive service offering ensure top performance from your Alfa Laval equipment throughout its life cycle. The Alfa Laval 360 Service Portfolio include installation services, cleaning and repair as well as spare parts, technical documentation and trouble shooting. We also offer replacement, retrofit, monitoring and much more.

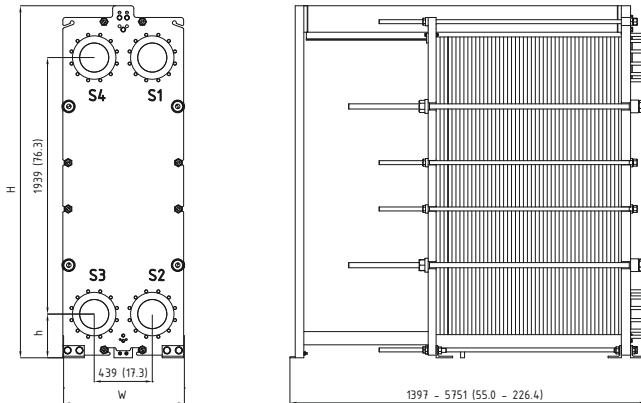
For information about our complete service offering and how to contact us - please visit www.alfalaval.com/service.

General remarks for technical information

- The global offering presented in this leaflet may not be available for all regions
- All combinations may not be configurable

Dimensional drawing

Measurements mm (inches)



Frame	H	W	h
FM pvcALS, PED, Marine ¹	2661 (104.8")	913 (35.9")	331 (13.0")
FG pvcALS, ASME, PED	2661 (104.8")	913 (35.9")	331 (13.0")
FD pvcALS, PED	2711 (106.7")	913 (35.9")	331 (13.0")
FD ASME	2711 (106.7")	942 (37.1")	331 (13.0")
FS pvcALS	2711 (106.7")	913 (35.9")	331 (13.0")
FS ASME	2711 (106.7")	942 (37.1")	331 (13.0")

¹ Marine includes the PV-codes: ABS, BV, CCS, ClassNK, DNV, KR, LR, RINA, and RMRS.

The number of tightening bolts may vary depending on pressure rating.

Technical data

Plates	Type	Free channel, mm (inches)
B	Single plate	2.00 (0.079)
P	Single plate	2.90 (0.114)
M	Single plate	3.82 (0.15)

Materials

Heat transfer plates	304/304L, 316/316L, 254, C-276 Ti
Field gaskets	NBR, EPDM, FKM, HNBR
Flange connections	Metal lined: stainless steel, Alloy 254, Alloy C-276, titanium Rubber lined: NBR, EPDM
Frame and pressure plate	Carbon steel, epoxy painted

Other materials may be available on request

Operational data

Frame type	Max. design pressure (barg/psig)	Max. design temperature (°C/°F)
FM, pvcALS	10.3/150	180/356
FM, PED	11.5/188	180/356
FM, Marine ¹	10.0/145	100/212
FG, pvcALS	16.0/232	180/356
FG, ASME	10.4/151	250/482
FG, PED	16.0/232	150/302
FD, pvcALS	25.0/362	180/356
FD, ASME	20.7/300	250/482
FD, PED	25.0/362	180/356
FS, pvcALS	30.0/434	180/356
FS, ASME	27.6/400	250/482

¹ Marine standard includes the standards: ABS, BV, CCS, ClassNK, DNV, KR, LR, RINA, and RMRS.

Extended pressure and temperature rating may be available on request.

Flange connections

Frame type	Connection standard
FM, pvcALS	EN 1092-1 DN200 PN10
	EN 1092-1 DN250 PN10
	ASME B16.5 Class 150 NPS 8
	ASME B16.5 Class 150 NPS 10
	JIS B2220 10K 200A
FM, PED	JIS B2220 10K 250A
	EN 1092-1 DN200 PN10
	EN 1092-1 DN250 PN10
	ASME B16.5 Class 150 NPS 8
	ASME B16.5 Class 150 NPS 10
FM, Marine ¹	EN 1092-1 DN200 PN10
	EN 1092-1 DN250 PN10
	ASME B16.5 Class 150 NPS 8
	ASME B16.5 Class 150 NPS 10
	JIS B2220 10K 200A
FG, pvcALS	JIS B2220 10K 250A
	EN 1092-1 DN200 PN16
	EN 1092-1 DN250 PN16
	ASME B16.5 Class 150 NPS 8
	ASME B16.5 Class 150 NPS 10
FG, ASME	JIS B2220 16K 200A/250A
	ASME B16.5 Class 150 NPS 8
	ASME B16.5 Class 150 NPS 10
	EN 1092-1 DN200 PN16
	EN 1092-1 DN250 PN16
FG, PED	ASME B16.5 Class 150 NPS 8
	ASME B16.5 Class 150 NPS 10
	EN 1092-1 DN200 PN25
	EN 1092-1 DN250 PN25
	ASME B16.5 Class 300 NPS 8
FD, pvcALS	ASME B16.5 Class 300 NPS 10
	JIS B2220 20K 200A
	JIS B2220 20K 250A
	ASME B16.5 Class 300 NPS 8
	ASME B16.5 Class 300 NPS 10
FD, ASME	EN 1092-1 DN200 PN25
	EN 1092-1 DN250 PN25
	ASME B16.5 Class 300 NPS 8
	ASME B16.5 Class 300 NPS 10
	EN 1092-1 DN200 PN40
FS, pvcALS	EN 1092-1 DN250 PN40
	ASME B16.5 Class 400 NPS 8
	ASME B16.5 Class 400 NPS 10
	JIS B2220 30K 200A
	JIS B2220 30K 250A
FS, ASME	ASME B16.5 Class 300 NPS 8
	ASME B16.5 Class 300 NPS 10

¹ Marine includes the standards: ABS, BV, CCS, DNV, ClassNK, KR, LR, RINA, and RMRS.

Standard EN1092-1 corresponds to GOST 12815-80 and GB/T 9115.

Certificates



This document and its contents are subject to copyrights and other intellectual property rights owned by Alfa Laval Corporate AB. No part of this document may be copied, re-produced or transmitted in any form or by any means, or for any purpose, without Alfa Laval Corporate AB's prior express written permission. Information and services provided in this document are made as a benefit and service to the user, and no representations or warranties are made about the accuracy or suitability of this information and these services for any purpose. All rights are reserved.

200000142-9-EN-GB

© Alfa Laval Corporate AB

How to contact Alfa Laval

Up-to-date Alfa Laval contact details for all countries are always available on our website at www.alfalaval.com